

AL105NAXH Appello X Recordable Sounder & LED Beacon

The AL105NAXH Appello X is the next generation of user recordable alarm sounder, capable of storing up to 2 minutes of content, combined with a high output L.E.D. beacon. The AL105NAXH records, stores and plays back with unsurpassed clarity, user defined voice messages, music or sounds stored directly to non-volatile memory.

Low current consumption and CD quality reproduction in a robust fire retardant Type 4/4X/3R/13, IP66 housing ensure the AL105NAXH Appello X is suitable for all general signalling applications including fire, security and process control.

Features

The AL105NAXH Appello user recordable unit enables the recording of any type of content such as voice or music that can be played back at CD quality output at SPL's of up to 102dB(A) at 1 metre. This content can be reproduced repeatedly, alternating with or without one of the built-in 45 alarm tones. The alarm tone notification has an output of up to 110dB(A) at 1 metre.

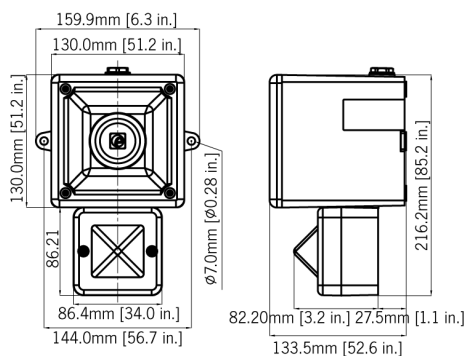
For multiple unit installations the recording process is only required once to create a master unit which can then be used to program all other AL105NAX units on the system, guaranteeing synchronisation during playback, using the supplied 'Synch' cable.

- Direct content storage on non-volatile memory.
- CD quality reproduction.
- Message length: 4 x 30 seconds
- Easy message creation with built in microphone or linein audio input.
- Volume controls for user content and alarm tones.
- Available with custom tone configurations and frequencies.
- L.E.D. beacon with an output of 120cd*.
- Factory programming of user supplied content also available.
- UL approved for general signalling use.

Approvals

- UL & cULs approved: General signalling use
- EAC approved (GOST-R)





Specification

Alarm sounder:

Voice output:	101dB(A) @ 1 m
Music output:	102 dB(A) @ 1 metre
Alarm output:	110dB(A) @ 1 metre
Alarm tones:	x 45 (UKOOA/PFEER compliant)
Messages:	x 4 (30 seconds each)
Controls:	Independent volume controls for user content and alarm tones
Effective range:	60m/197lbs @ 1KHz

L.E.D. beacon:

Light source:	High intensity L.E.D. array. 24 x Superflux type high output L.E.D's
Options:	Steady or 2Hz flash mode (on board select)
Candela:	White L.E.D: 120cd (effective intensity)

General:

Ingress protection:	Type 4 / 4X / 3R / 13, IP66
Rating:	Continuous
Housing material:	UL94V0 & 5VA FR ABS
Housing colour:	RAL3000 Red, RAL7038 Grey and White
Fixings:	Stainless Steel
Cable entries:	2 x M20 clearance gland entries. Custom configurations also available.
Terminals:	0.5 to 2.5mm ²
Operating temp:	-25° to +55°C [-13° to +131°F]
Storage temp:	-40° to +70°C [-40° to +158°F]
Relative humidity:	90% at 20°C [68°F]
Weight:	DC: 1.00kg/2.2lbs AC: 1.20kg/2.64lbs

*Candela measurements representative of performance with clear lens at optimum voltage.

*SPL data +/-3dB(A). Measured at optimum voltage.

Part Codes

Version:	Voltage:	Part code:
Alarm+L.E.D.	10-30V dc	AL105NAXHDC02 4[x]/[y]-UL
Alarm+L.E.D.	90-260V ac	AL105NAXHAC2 30[x]/[y]-UL
[x] = Housing colour:	G: Grey R: Red W: White	
[y] = L.E.D colour:	A: Amber B: Blue W: White G: Green R: Red	

All L.E.D. colours use a Clear lens to maximise output and to ensure the signal is most effective in high ambient light levels.

Current Consumption

Version:	Voltage:	Range:	Current:
Alarm+L.E.D.	DC	10-30Vdc	413mA*
Alarm+L.E.D.	AC 50/60Hz	90-260V ac	159mA*

* current at nominal voltage on Tone 1

Tone table

S 1	Description	S 2	S 3	S 4	S 1	Description	S 2	S 3	S 4
T 1	340 Hz Continuous	T 2	T 5	T 29	T 33	745Hz @ 1Hz Intermittent	T 2	T 5	T 29
T 2	800/1000Hz @ 0.25 sec Alternating	T 17	T 5	T 29	T 34	1000 & 2000Hz @ 0.5 sec Alternating - Singapore	T 38	T 45	T 29
T 3	500/1200Hz @ 0.3Hz 0.5 sec Slow Whoop	T 2	T 5	T 29	T 35	420Hz @ 0.625 sec Australian Alert	T 36	T 5	T 29
T 4	800/1000Hz @ 1Hz Sweeping	T 6	T 5	T 29	T 36	500-1200Hz 3.75sec /0.25sec. Australian Evac.	T 35	T 5	T 29
T 5	2400Hz Continuous	T 3	T 20	T 29	T 37	1000Hz Continuous - PFEER Toxic Gas	T 9	T 45	T 29
T 6	2400/2900Hz @ 7Hz Sweeping	T 7	T 5	T 29	T 38	2000Hz Continuous	T 34	T 45	T 29
T 7	2400/2900Hz @ 1Hz Sweeping	T 10	T 5	T 29	T 39	800Hz 0.25sec on, 1 sec off Intermittent	T 23	T 17	T 29
T 8	500/1200/500Hz @ 0.3Hz Sweeping	T 2	T 5	T 29	T 40	544Hz (100mS)/440Hz (400mS) - NF S 32-001	T 31	T 27	T 29
T 9	1200/500Hz @ 1Hz - DIN / PFEER P.T.A.P.	T 15	T 2	T 29	T 41	Motor Siren - slow rise to 1200 Hz	T 2	T 5	T 29
T 10	2400/2900Hz @ 2Hz Alternating	T 7	T 5	T 29	T 42	Motor Siren - slow rise to 800 Hz	T 2	T 5	T 29
T 11	1000Hz @ 1Hz Intermittent	T 2	T 5	T 29	T 43	1200 Hz Continuous	T 2	T 5	T 29
T 12	800/1000Hz @ 0.875Hz Alternating	T 4	T 5	T 29	T 44	Motor Siren - slow rise to 2400 Hz	T 2	T 5	T 29
T 13	2400Hz @ 1Hz Intermittent	T 15	T 5	T 29	T 45	1KHz 1s on, 1s off Intermittent - PFEER Gen. ...	T 38	T 34	T 29
T 14	800Hz 0.25sec on, 1 sec off Intermittent	T 4	T 5	T 29					
T 15	800Hz Continuous	T 2	T 5	T 29					
T 16	660Hz 150mS on, 150mS off Intermittent	T 18	T 5	T 29					
T 17	544Hz (100mS)/440Hz (400mS) - NF S 32-001	T 2	T 27	T 29					
T 18	660Hz 1.8sec on, 1.8sec off Intermittent	T 2	T 5	T 29					
T 19	1.4KHz-1.6KHz 1s, 1.6KHz-1.4KHz 0.5s -NFC48-265T 2	T 5	T 29						
T 20	660Hz Continuous	T 2	T 5	T 29					
T 21	554Hz/440Hz @ 1Hz Alternating	T 2	T 5	T 29					
T 22	544Hz @ 0.875 sec. Intermittent	T 2	T 5	T 29					
T 23	800Hz @ 2 Hz Intermittent	T 6	T 5	T 29					
T 24	800/1000Hz @ 50Hz Sweeping	T 29	T 5	T 29					
T 25	2400/2900Hz @ 50Hz Sweeping	T 29	T 5	T 29					
T 26	Bell	T 2	T 15	T 29					
T 27	554Hz Continuous	T 26	T 5	T 29					
T 28	440Hz Continuous	T 2	T 5	T 29					
T 29	800/1000Hz @ 7Hz Sweeping	T 7	T 5	T 29					
T 30	300Hz Continuous	T 2	T 5	T 29					
T 31	660/1200Hz @ 1Hz Sweeping	T 26	T 5	T 29					
T 32	Two T chime.	T 26	T 15	T 29					